



POLYGON

OWNER MANUAL



SISKIU D24



SISKIU D24

CONGRATULATIONS!

Congratulations for buying Polygon Bikes! A bicycle is a great tool for transportation and recreation. Hopefully, you can find enjoyment and have a great deal of use in every ride. This manual contains important information which includes safety, performance, and maintenance.

IMPORTANT

Read this manual before taking your first ride and use it for future reference as well.

Additional safety, performance, and service information related to specific components such as suspension, pedals, and other accessories, such as helmets or lights you have purchased. Make sure your nearest authorized dealer has given all the manufacturing literature which includes in your bicycle and accessories. In case of conflict between the instructions and information provided in this manual, always follow the component manufacturer's instructions.

If you have any questions or do not understand something within this guide, take responsibility for your safety and consult with your nearest authorized dealer or the bicycle's manufacturer.

NOTE

This manual is not intended for comprehensive use, service repair, or service manual. Please see your nearest authorized dealer for all service, repairs, and maintenance-related action. Your dealer is also able to refer you to classes, clinics, or books for service or maintenance.

WARNING


To ensure the warranty of your bicycle, be sure to only use the original spare parts.

SISKIU D24
TABLE OF CONTENT

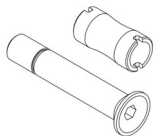
01	INTRODUCTION
02	TABLE OF CONTENT
03	EXPLODED VIEW AND PART LIST
03	LOVER PIVOT
04	SEAT STAY - UPPER LINKAGE - FRONT TRIANGLE
05	SHOCK MOUNT
06	REAR END
07	ANOTHER PART
08	REGULAR INSPECTION
09	HOW TO CLEAN THE BIKE
10	HOW TO CLEAN THE BIKE'S CHAIN

SISKIU D24
FRAME PARTS

**LOWER PIVOT
EXPLODED VIEW AND PART LIST**

 Use the exploded view reference numbers to identify the corresponding part numbers in the table.

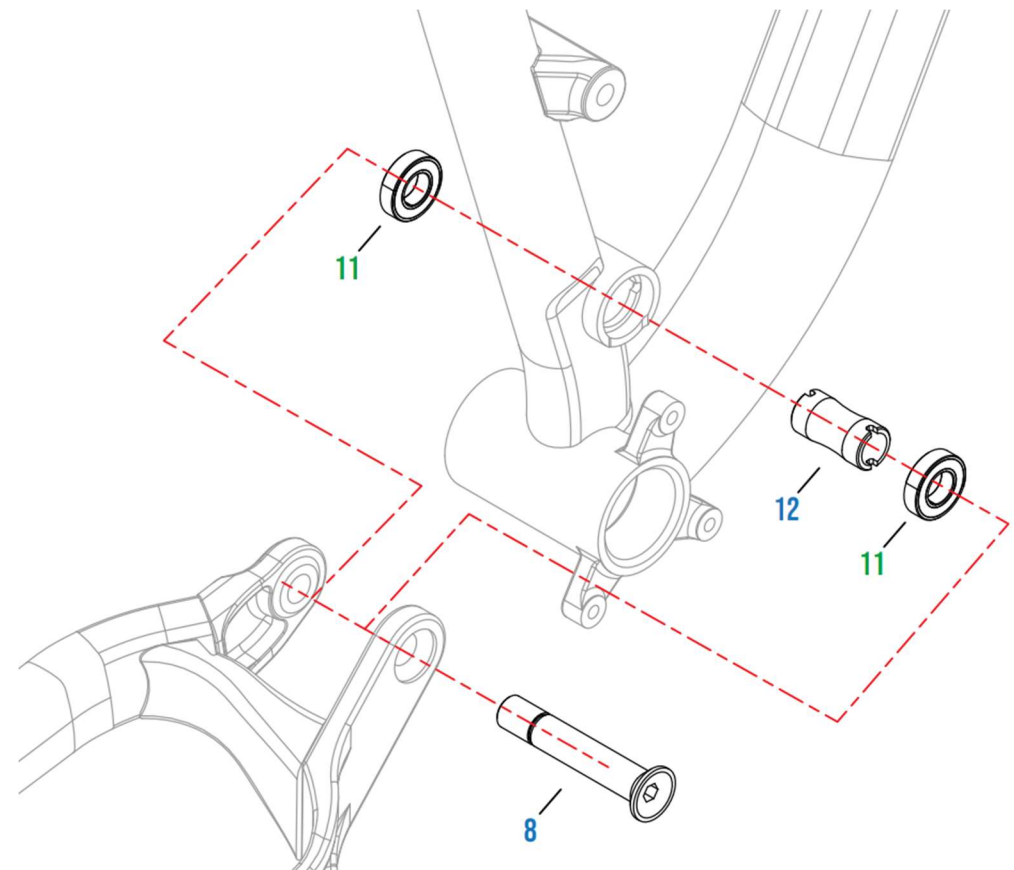
LOWER PIVOT KIT

	733646 LOWER PIVOT KIT	QTY	TORQ
	(8) PIVOT SHAFT M12x1.25, L69.5, T15, HEX6	1	15Nm
	(12) PIVOT SPACER 32mm	1	-

RUBBER SEALED BEARING

	728711 RUBBER SEALED BEARING	QTY	TORQ
	(11) 6901-2RS RUBBER SEALED BEARING	1	-

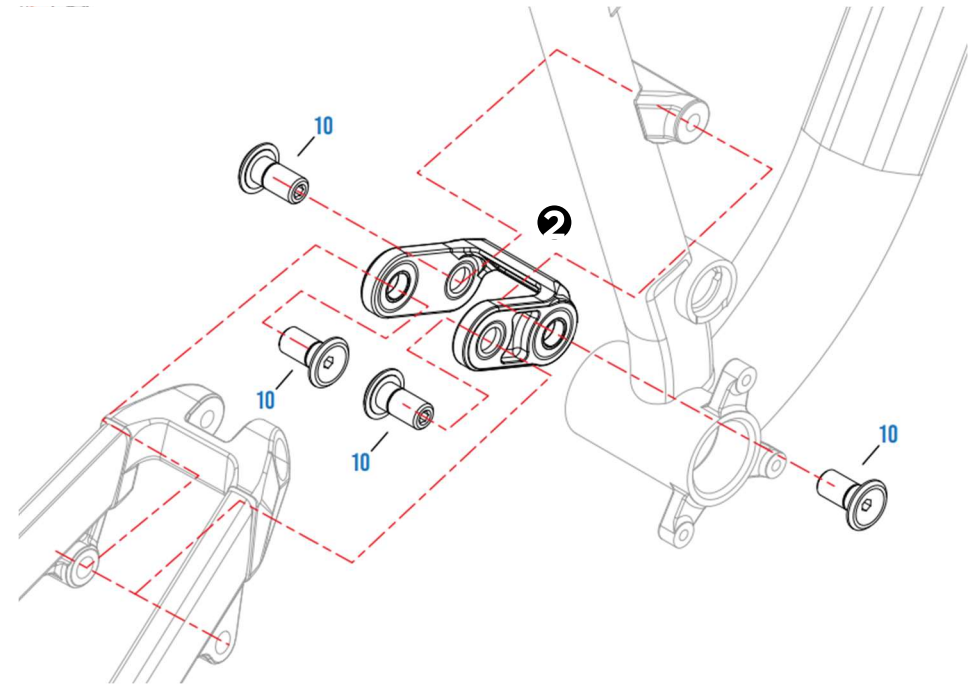
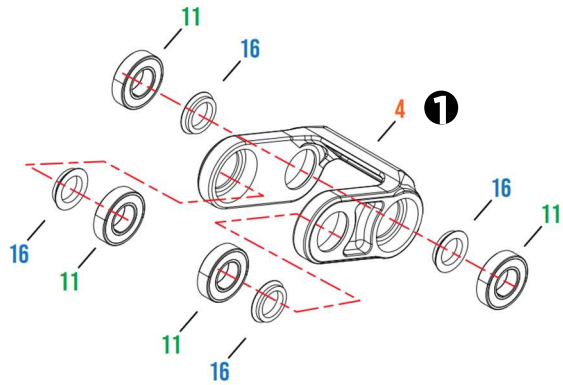
Details:
1PCS 6901-2RS RUBBER SEALED BEARING
ID: 12mm, OD: 24, W: 6mm



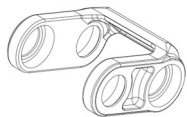
SISKIU D24
FRAME PARTS

SEAT STAY - UPPER LINKAGE - FRONT TRIANGLE
EXPLODED VIEW AND PART LIST

! Use the exploded view reference numbers to identify the corresponding part numbers in the table.



UPPER LINKAGE



725078 UPPER LINKAGE FOR SISKIU D	QTY	TORQ
(4) UPPER LINKAGE FOR SISKIU D	1	-
Details: 1PCS Upper Linkage IS16PFK17 for Siskiu D		

UPPER LINKAGE HARDWARE KIT



732531 UPPER LINKAGE BOLT SET	QTY	TORQ
(10) PIVOT BOLT M12x1.25, L26.5, T16.2, HEX5	4	15Nm
(16) PIVOT RING SPACER ID:12, OD:16, W:3mm	4	-


RUBBER SEALED BEARING



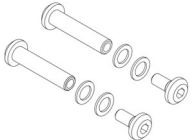
728711 RUBBER SEALED BEARING	QTY	TORQ
(11) 69012RS RUBBER SEALED BEARING	1	-
Details: 1PCS 6901-2RS RUBBER SEALED BEARING ID: 12mm, OD: 24, W: 6mm		

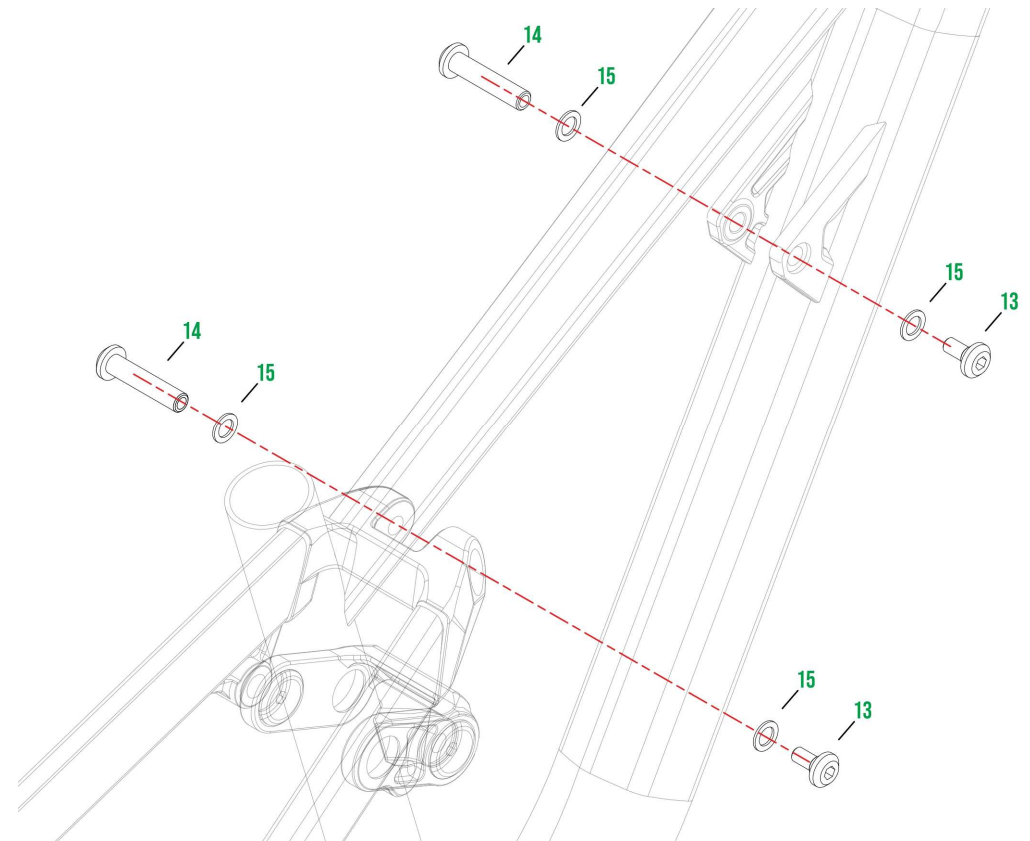
SISKIU D24
FRAME PARTS

**SHOCK MOUNT
EXPLODED VIEW AND PART LIST**

 Use the exploded view reference numbers to identify the corresponding part numbers in the table.


SHOCK MOUNT HARDWARE KIT

	729767 SHOCK MOUNT HARDWARE KIT	QTY	TORQ
	(13) PIVOT BOLT M6x1.0, L18, T9.5, HEX5	2	12Nm
	(14) PIVOT BOLT M6x1.0, L41, T30, HEX6	2	12Nm
	(15) WASHER ID: 8.5mm; OD: 13.5mm	4	-



SISKIU D24
FRAME PARTS


**REAR END
EXPLODED VIEW AND PART LIST**

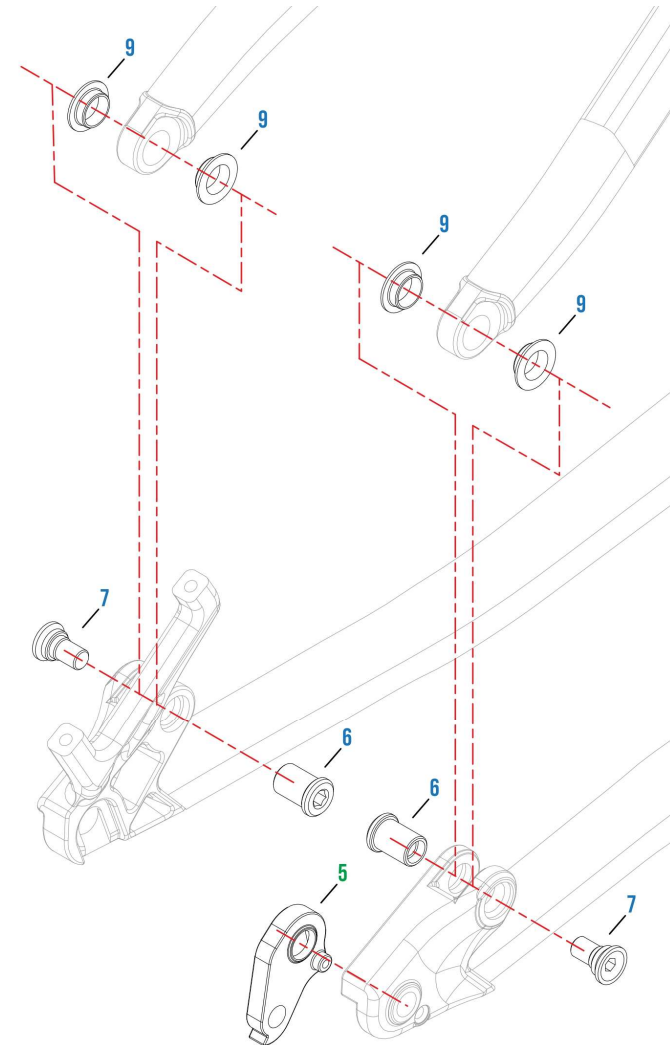
 Use the exploded view reference numbers to identify the corresponding part numbers in the table.

REAR END HARDWARE KIT

	732527 REAR END HARDWARE KIT	QTY	TORQ
	(6) PIVOT BOLT M8x1.25, L19, T9.5, HEX6	2	12Nm
	(7) PIVOT BOLT M8x1.25, L18, T9,75, HEX5	2	12Nm
	(9) IGLIDUR J FLANGED BEARING ID:12MM, OD:14MM, W:5MM	4	-

REPLACEABLE DROP OUT

	725047 2HRU DROP OUT DIRECT ATTACH	QTY	TORQ
	(5) 2HRU DROP OUT DIRECT ATTACH	1	-
	Details: 1PCS Replaceable Drop Out IS15PHG01, 2HRU Drop Out Direct Attach w/ Bolt		



SISKIU D24
FRAME PARTS

ANOTHER PART

The parts listed below are not shown in the exploded view

741580 CABLE GUIDE KIT	QTY	TORQ
CABLE GUIDE FOR BRAKE CABLE (5mm Hole)	1	-
CABLE GUIDE FOR SHIFTER CABLE (4mm Hole)	1	-

733687 REAR THRU AXLE	QTY	TORQ
REAR THRU AXLE M12x1.5, Length 165mm, Thread Length 20mm, HEX6	1	10-12 Nm

728308 2HRU DROP OUT DIRECT MOUNT	QTY	TORQ
2HRU DROP OUT IS17PHG01 Direct Mount	1	-

SISKIU D24

REGULAR INSPECTION

REGULAR INSPECTIONS BEFORE RIDING THE BICYCLE

Before riding the bicycle, check the following items. If any problems are found, consult your place of purchase or a distributor.

Does the drive train perform gear shifting smoothly?

Are the components securely installed to the frame/ handlebar/ stem, etc.?

Is there any looseness or damage in the component parts?

Do any abnormal noises occur while riding?

AVOID

Avoid wearing clothing that may get caught in a chain or wheel, as this may cause an accident.

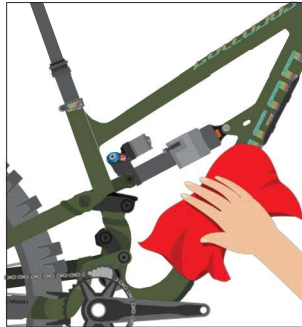
SISKIU D24

HOW TO CLEAN THE BIKES



1

Use a bike wash or wet cloth to clean up every part of your bike. Preferably using a specific cleaner for the bike



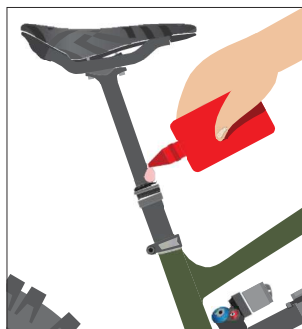
2

Wipe the bike immediately until it's dry. Do not leave it in wet conditions for a long time.



3

Clean up the drivetrain with a clean and dry cloth.



4

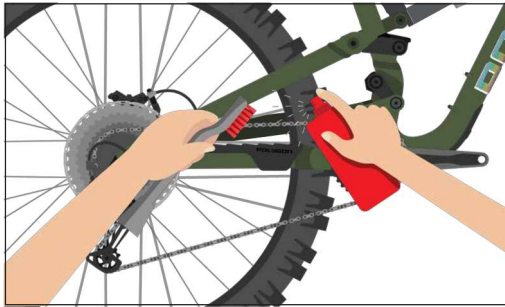
Check and lubricate every component if needed, especially 2 or more components that rub against each other, such as the seat post, bottom bracket, hub, pivot frame suspension, ect

NOTE

- Use the right bike wash to make sure your every bike component and frame is safe.
- Avoid washing the bike using high - pressure water
- It is highly recommended to use specific lubricants for bicycle parts, not with engine vehicles or other oil since it might lead to component performance reduction
- It is recommended to use a bike cleaner rather than detergent, solvent like acetone, and thinner to clean the bike parts.

SISKIU D24

HOW TO CLEAN THE BIKE'S CHAIN



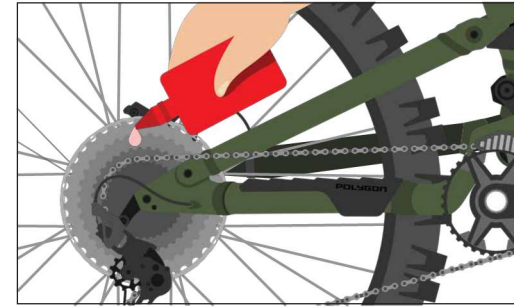
1

Use a bike chain cleaner and gently brush it.



2

Wipe with a clean and dry cloth, and let it dry for minutes.



3

Lube the chain regularly

POLYGON

OWNER MANUAL