

# POLYGON

OWNER MANUAL





*STRATTOS*



STRATTOS 8 DI2



*STRATTOS*



STRATTOS 7 DI2



STRATTOS 7



*STRATTOS*



STRATTOS 6

# CONGRATULATIONS!

Congratulations for buying Polygon Bikes! A bicycle is a great tool for transportation and recreation. Hopefully, you can find enjoyment and have a great deal of use in every ride. This manual contains important information which includes safety, performance, and maintenance.

**IMPORTANT**

Read this manual before taking your first ride and use it for future reference as well.

Additional safety, performance, and service information related to specific components such as suspension, pedals, and other accessories, such as helmets or lights you have purchased. Make sure your nearest authorized dealer has given all the manufacturing literature which includes in your bicycle and accessories. In case of conflict between the instructions and information provided in this manual, always follow the component manufacturer's instructions.

If you have any questions or do not understand something within this guide, take responsibility for your safety and consult with your nearest authorized dealer or the bicycle's manufacturer.

**NOTE**

This manual is not intended for comprehensive use, service repair, or service manual. Please see your nearest authorized dealer for all service, repairs, and maintenance-related action. Your dealer is also able to refer you to classes, clinics, or books for service or maintenance.

**WARNING**

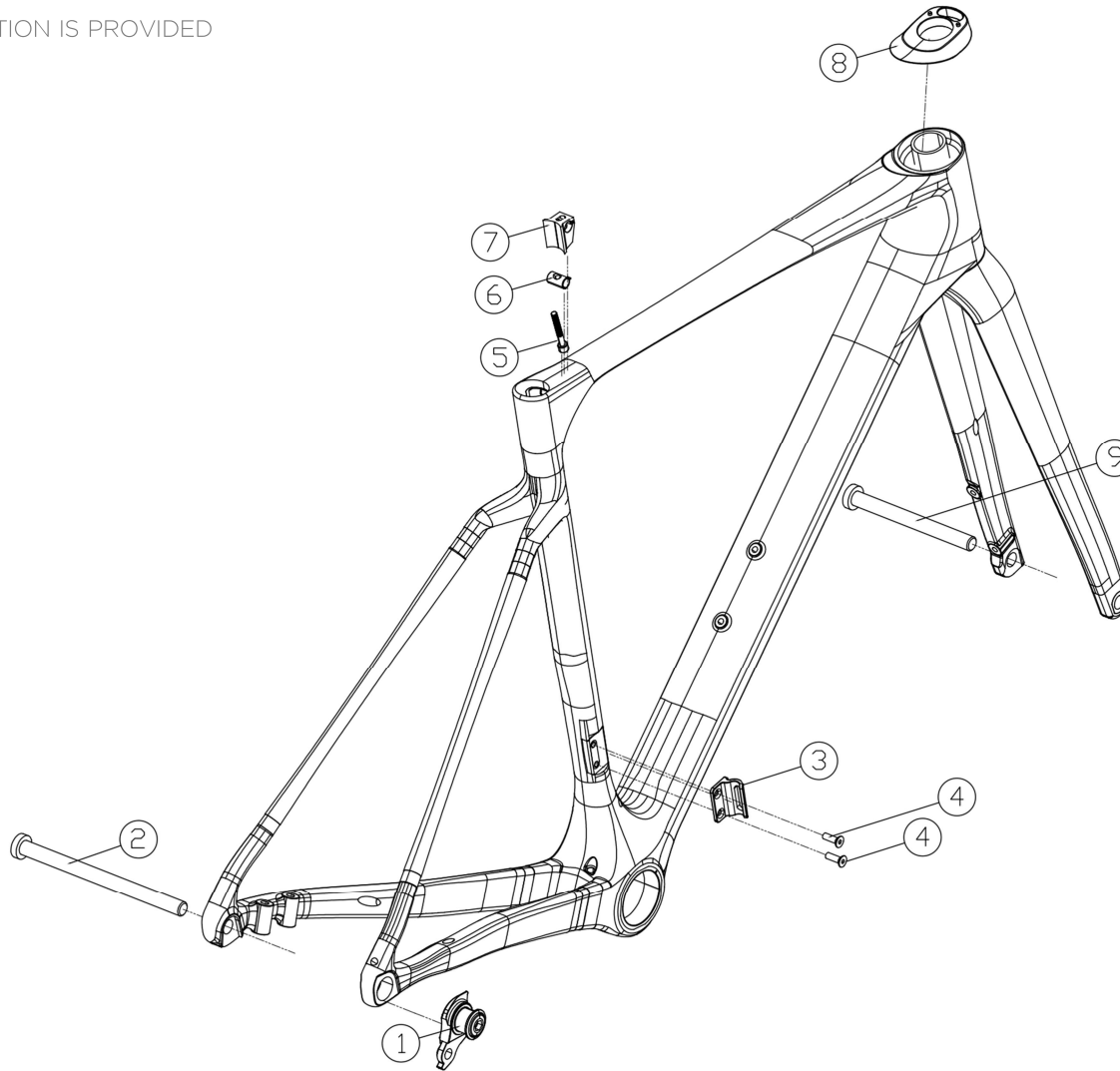
To ensure the warranty of your bicycle, be sure to only use the original spare parts.

**STRATTOS**  
TABLE OF CONTENT

<b>01</b>	INTRODUCTION
<b>02</b>	TABLE OF CONTENT
<b>03</b>	EXPLODED VIEW
<b>04</b>	FRAME PARTS
<b>05</b>	CABLE ROUTING
<b>06</b>	GROUPSET COMPONENTS
<b>07</b>	REGULAR INSPECTION
<b>08</b>	HOW TO CLEAN THE BIKE
<b>09</b>	HOW TO CLEAN THE BIKE'S CHAIN

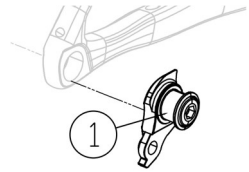
**STRATTOS**  
EXPLODED VIEW

\* DETAILED PART IDENTIFICATION IS PROVIDED  
ON THE FOLLOWING PAGE.



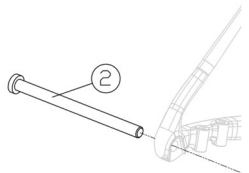
STRATTOS  
FRAME PARTS

(1)



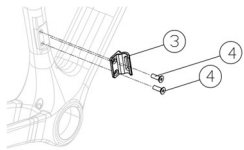
738268 SRAM UDH	QTY	TORQUE
(1) SRAM UNIVERSAL DERAILLEUR HANGER	1	25 Nm
DETAILS: Replaceable Drop Out, SRAM Universal Derailleur Hanger (UDH)		

(2)



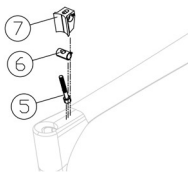
741329 REAR THRU AXLE	QTY	TORQUE
(2) REAR THRU AXLE BLACK L:168MM	1	10-16 Nm
DETAILS: M12x1.0mm, Length 168mm, Thread length 13mm, HEX6		

(3) (4)



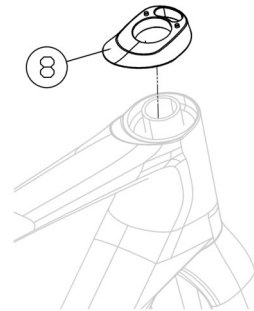
742052 FD CLAMP SET	QTY	TORQUE
(3) FD CLAMP FOR STRATTOS	1	-
(4) BOLT M5x11mm	2	5-7 Nm

(5) (6) (7)



742053 SEAT POST WEDGE	QTY	TORQUE
(5) BOLT M5x35mm	1	6-8 Nm
(6) SEATPOST WEDGE	1	-
(7) PLANTED NUT	1	-

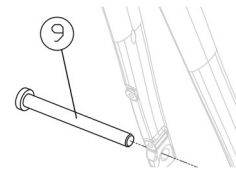
(8)



742054 FSA HEADSET KIT	QTY	TORQUE
- FSA HEADSET HS-PG-01	1	-
- MICRO SPACER MW024 0.25mm	2	-
- FSA SMR KIT FOR ROUND STEM	1	-

742605 TOKEN HEADSET KIT	QTY	TORQUE
- TOKEN HEADSET TK1956PD-36-IS01	1	-
- HEADSET SPACER TK155	1	-
- MICRO SPACER TOKEN YCHS009	1	-

(9)



741330 FRONT THRU AXLE	QTY	TORQUE
(9) FRONT THRU AXLE BLACK L:120MM	1	10-16 Nm
DETAILS: M12x1.5mm, Length 120mm, Thread length 13mm, HEX6		

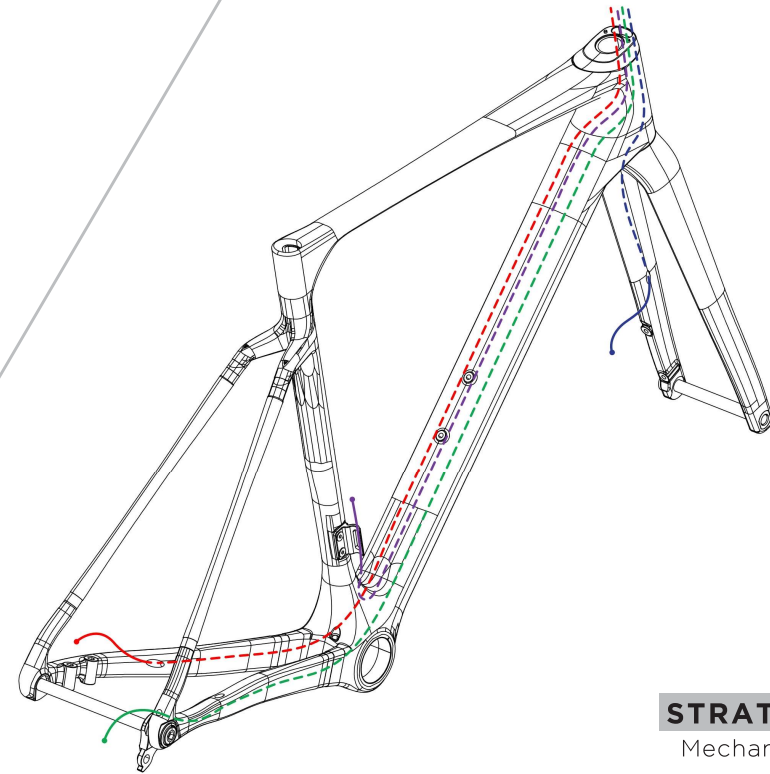
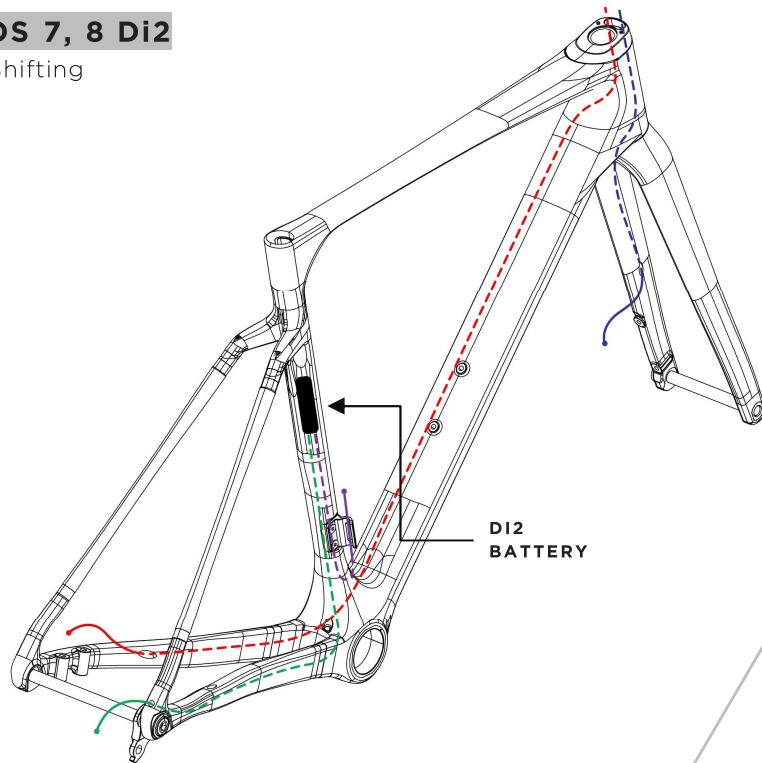
ANOTHER PART

ITEM	ITEM DESCRIPTION	QTY	SOLD
727092	FSA H.SET COMPRESSOR TH-881-1	1	PER PIECE
737196	HEADSET SPACER FSA MW010 5mm	1	PER PIECE
741651	HEADSET SPACER FSA MW011 10mm	1	PER PIECE
742609	HEADSET SPACER TOKEN TK155-4-P5 5mm	1	PER PIECE
742608	HEADSET SPACER TOKEN TK155-4-P10 10mm	1	PER PIECE
742250	SEATPOST COLLAR 27.2mm for DI2 BATTERY HOLDER	1	PAIRS

**STRATTOS**  
CABLE ROUTING

**STRATTOS 7, 8 Di2**

Electronic Shifting



**STRATTOS 6, 7**

Mechanical Shifting

- Front Brake Hose
- Rear Brake Hose
- FD Cable
- RD Cable

**STRATTOS**  
GROUPSET COMPONENTS

COMPONENT	STRATTOS 6	STRATTOS 7	STRATTOS 7 DI2	STRATTOS 8 DI2
BATTERY	-		SHIMANO BT-DN300	
ELECTRIC WIRE	-		SHIMANO EW-SD300-I 1400mm	
			SHIMANO EW-SD300-I 800mm	
CHARGING CABLE	-		SHIMANO EW-EC300 1500mm	
FRONT DERAILLEUR	SHIMANO FD-R4000	SHIMANO FD-R7100	SHIMANO FD-R7150	SHIMANO FD-R8150
REAR DERAILLEUR	SHIMANO RD-R4000	SHIMANO RD-R7100	SHIMANO RD-R7150	SHIMANO RD-R8150
BRIFTER	SHIMANO ST-R4020	SHIMANO ST-R7120	SHIMANO ST-R7170	SHIMANO ST-R8170
BRAKE	SHIMANO BR-RS405	SHIMANO BR-R7170	SHIMANO BR-R7170	SHIMANO BR-R8170
ROTOR	SHIMANO SM-RT30 160mm	SHIMANO SM-RT54 160mm		SHIMANO RT-CL800 160mm
CHAINWHEEL	PROWHEEL ARE- C607X-TT	SHIMANO FC-R7100		SHIMANO FC-R8100
CASSETTE	SHIMANO CS-RS400	SHIMANO CS-R7101		SHIMANO CS-R8101

**SHIMANO DI2  
MANUAL**



For detailed information regarding the Shimano Di2 electronic shifting system, please refer to the official Shimano owner's manual by scanning the QR code above.

**STRATTOS**  
REGULAR INSPECTION**REGULAR INSPECTIONS BEFORE RIDING THE BICYCLE**

Before riding the bicycle, check the following items. If any problems are found, consult your place of purchase or a distributor.

Does the drivetrain perform gear shifting smoothly?

Are the components securely installed to the frame/ handlebar/ stem, etc.?

Is there any looseness or damage in the component parts?

Do any abnormal noises occur while riding?

**AVOID**

Avoid wearing clothing that may get caught in a chain or wheel, as this may cause an accident.

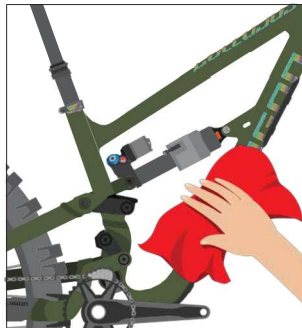
**STRATTOS**

HOW TO CLEAN THE BIKES



**1**

Use a bike wash or wet cloth to clean up every part of your bike. Preferably using a specific cleaner for the bike



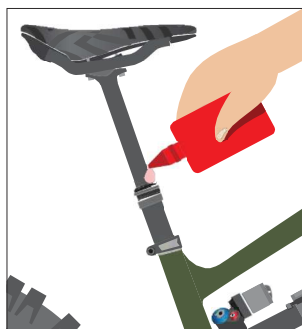
**2**

Wipe the bike immediately until it's dry. Do not leave it in wet conditions for a long time.



**3**

Clean up the drivetrain with a clean and dry cloth.



**4**

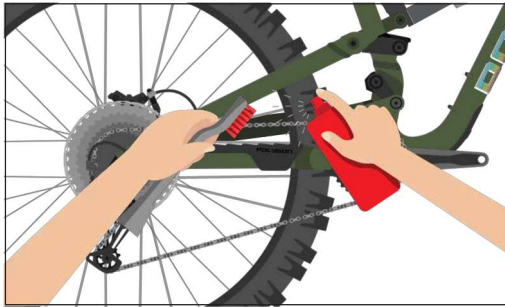
Check and lubricate every component if needed, especially 2 or more components that rub against each other, such as the seat post, bottom bracket, hub, pivot frame suspension, ect

**NOTE**

- Use the right bike wash to make sure your every bike component and frame is safe.
- Avoid washing the bike using high - pressure water
- It is highly recommended to use specific lubricants for bicycle parts, not with engine vehicles or other oil since it might lead to component performance reduction
- It is recommended to use a bike cleaner rather than detergent, solvent like acetone, and thinner to clean the bike parts.

**STRATTOS**

HOW TO CLEAN THE BIKE'S CHAIN



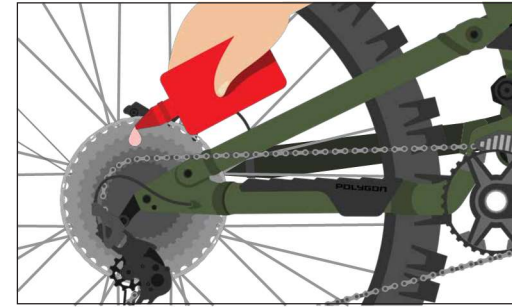
**1**

Use a bike chain cleaner and gently brush it.



**2**

Wipe with a clean and dry cloth, and let it dry for minutes.



**3**

Lube the chain regularly

# **POLYGON**

**OWNER MANUAL**