

POLYGON

OWNER MANUAL





COLLOSUS DH




COLLOSUS DH9




COLLOSUS DH7

CONGRATULATIONS!

Congratulations for buying Polygon Bikes! A bicycle is a great tool for transportation and recreation. Hopefully, you can find enjoyment and have a great deal of use in every ride. This manual contains important information which includes safety, performance, and maintenance.

IMPORTANT

Read this manual before taking your first ride and use it for future reference as well.

Additional safety, performance, and service information related to specific components such as suspension, pedals, and other accessories, such as helmets or lights you have purchased. Make sure your nearest authorized dealer has given all the manufacturing literature which includes in your bicycle and accessories. In case of conflict between the instructions and information provided in this manual, always follow the component manufacturer's instructions.

If you have any questions or do not understand something within this guide, take responsibility for your safety and consult with your nearest authorized dealer or the bicycle's manufacturer.

NOTE

This manual is not intended for comprehensive use, service repair, or service manual. Please see your nearest authorized dealer for all service, repairs, and maintenance-related action. Your dealer is also able to refer you to classes, clinics, or books for service or maintenance.

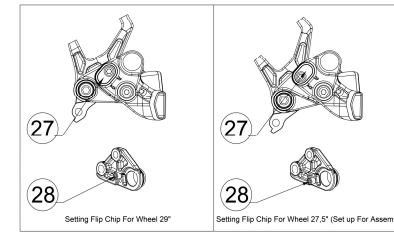
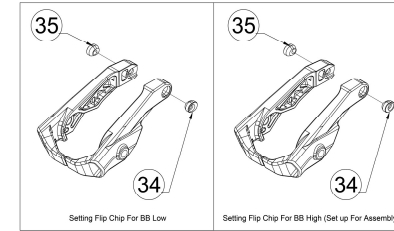
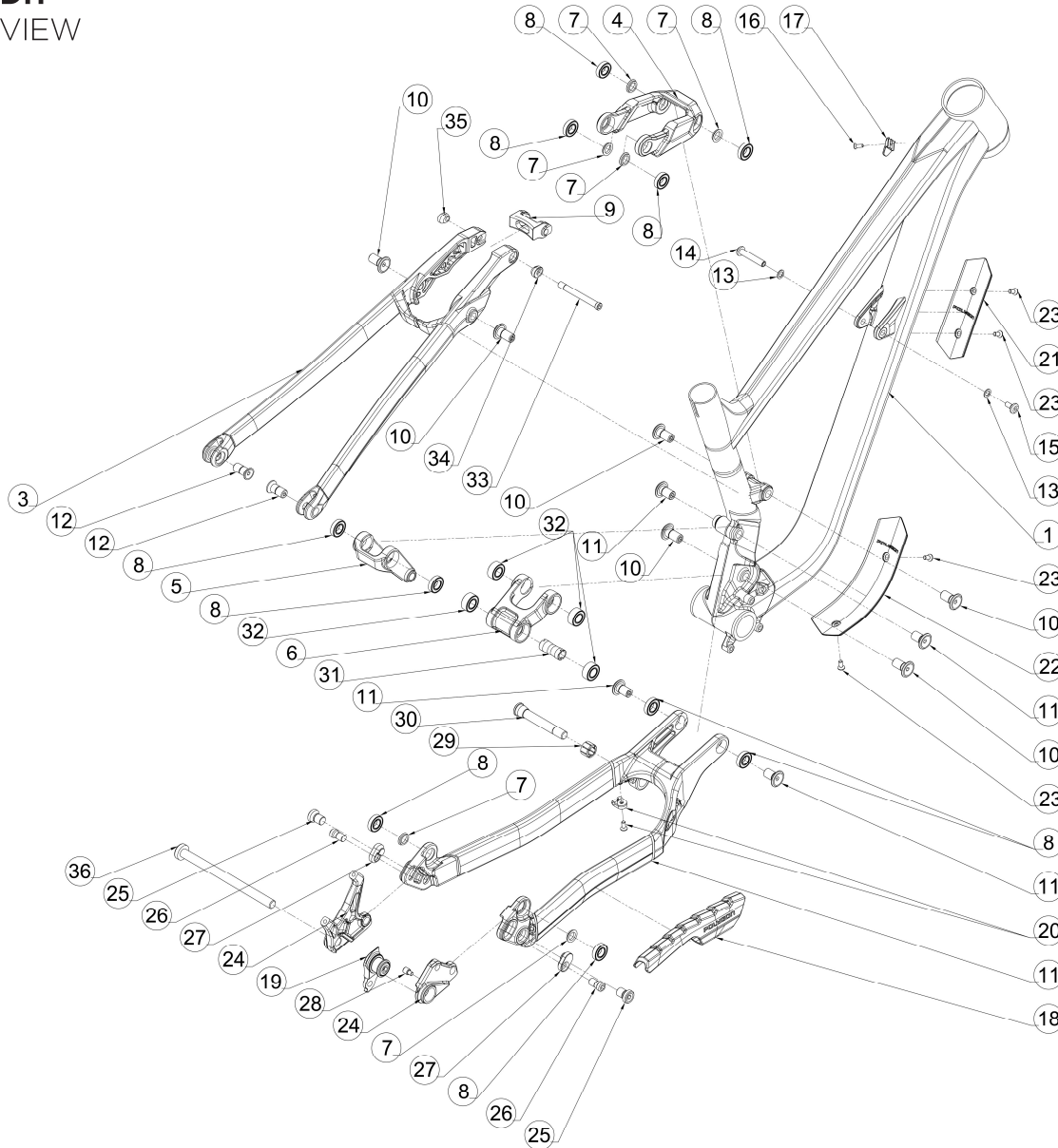
WARNING

To ensure the warranty of your bicycle, be sure to only use the original spare parts.

COLLOSUS DH
TABLE OF CONTENT

01	INTRODUCTION
02	TABLE OF CONTENT
03	EXPLODED VIEW
04	FRAME KITS
07	ASSEMBLY INSTRUCTION
10	CABLE ROUTING
11	SHOCK PRESSURE RECOMMENDATION
12	REGULAR INSPECTION
13	HOW TO CLEAN THE BIKE
14	HOW TO CLEAN THE BIKE'S CHAIN

COLLOSUS DH
EXPLODED VIEW



COLLOSUS DH
FRAME KITS

PART	ARTICLE	ITEM	ITEM DETAILS	TORQUE (N.m)	QTY / FRAME	SOLD
4	741374	SHOCK LINK	SHOCK LINK FOR COLLOSUS DH	-	1	PER PIECE
5	741375	SECOND LINK	SECOND LINK FOR COLLOSUS DH	-	1	PER PIECE
6	741376	FIRST LINK	FIRST LINK FOR COLLOSUS DH	-	1	PER PIECE
7	735301	BEARING SPACER	ID12, OD16, L3	-	6	PER 4 PIECES
8	733707	SEALED BALL BEARING	ID12, OD24, L6	-	10	PER PIECE
9	741360	BRIDGE SEAT STAY	BRIDGE SS FOR COLLOSUS DH	-	1	PER PIECE
10	735298	PIVOT BOLT	M12x1.25, L26.5, T16.2, HEX5	20	6	PER 2 PIECES
11	736038	PIVOT BOLT	M12x1.25, L23, 14.7, HEX5	20	4	PER 2 PIECES
12	735299	PIVOT BOLT	M12x1.25, L26, T12, HEX5	20	2	PER 2 PIECES
13			WASHER ID8.5, OD13.5	-	2	
14	741377	REAR SHOCK BOLT AND NUT SET	PIVOT SHAFT FEMALE M6x1.0, L47.5, T15, HEX6	12	1	AS A SET
15			PIVOT BOLT MALE M6x1.0, L18, T9.5 HEX5	12	1	

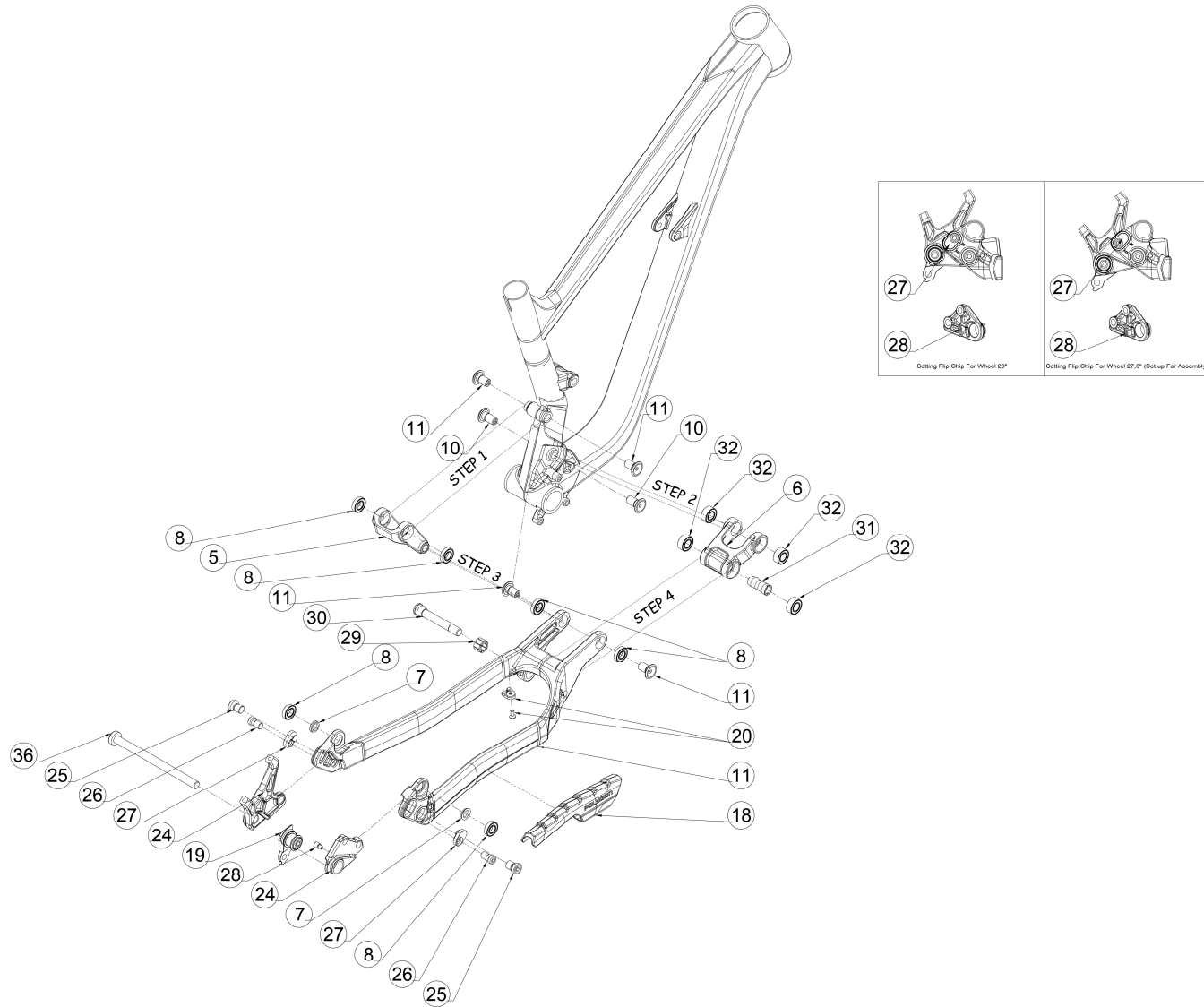
COLLOSUS DH
FRAME KITS

PART	ARTICLE	ITEM	ITEM DETAILS	TORQUE (N.m)	QTY / FRAME	SOLD
16	741361	CABLE GUIDE SET	BOLT M4x0.7, L12, HEX2.5	4	1	AS A SET
17			CABLE GUIDE	-	1	
18	736043	CS PROECTOR	RUBBER CHAIN STAY POROTECTOR	-	1	PER PIECE
19	738268	REPLACABLE DROP OUT	UNIVERSAL DERAILLEUR HANGER	25	1	PER PIECE
20	736045	CABLE GUIDE WITH BOLT	CABLE GUIDE W/ BOLT M5x0.8, L16, HEX3	-	1	PER PIECE
21	736520	DOWN TUBE SHUTTLE PAD SET	KRATON RUBBER SHUTTLE PAD	-	1	AS A SET
23			BOLT M5x0.8, L12, HEX3	4	2	
22	736522	DOWN TUBE PROTECTOR SET	KRATON RUBBER DT PROTECTOR	-	1	AS A SET
23			BOLT M5x0.8, L12, HEX3	4	2	
24	741362	DROP OUT	LEFT AND RIGHT DROP OUT FOR COLLOSUS DH	-	1	PER PIECE
25	741363	REAR END BOLT	BOLT M12X1.25, L20.5, T9, HEX6	20	2	PER 2 PIECES
26	741379	REAR END FLIP CHIP BOLT	BOLT M10X1.25, L22.5, T9, HEX6	15	2	PER 2 PIECES
27	741380	REAR END FLIP CHIP	REAR END FLIP CHIP ADAPTER	-	2	PER 2 PIECES

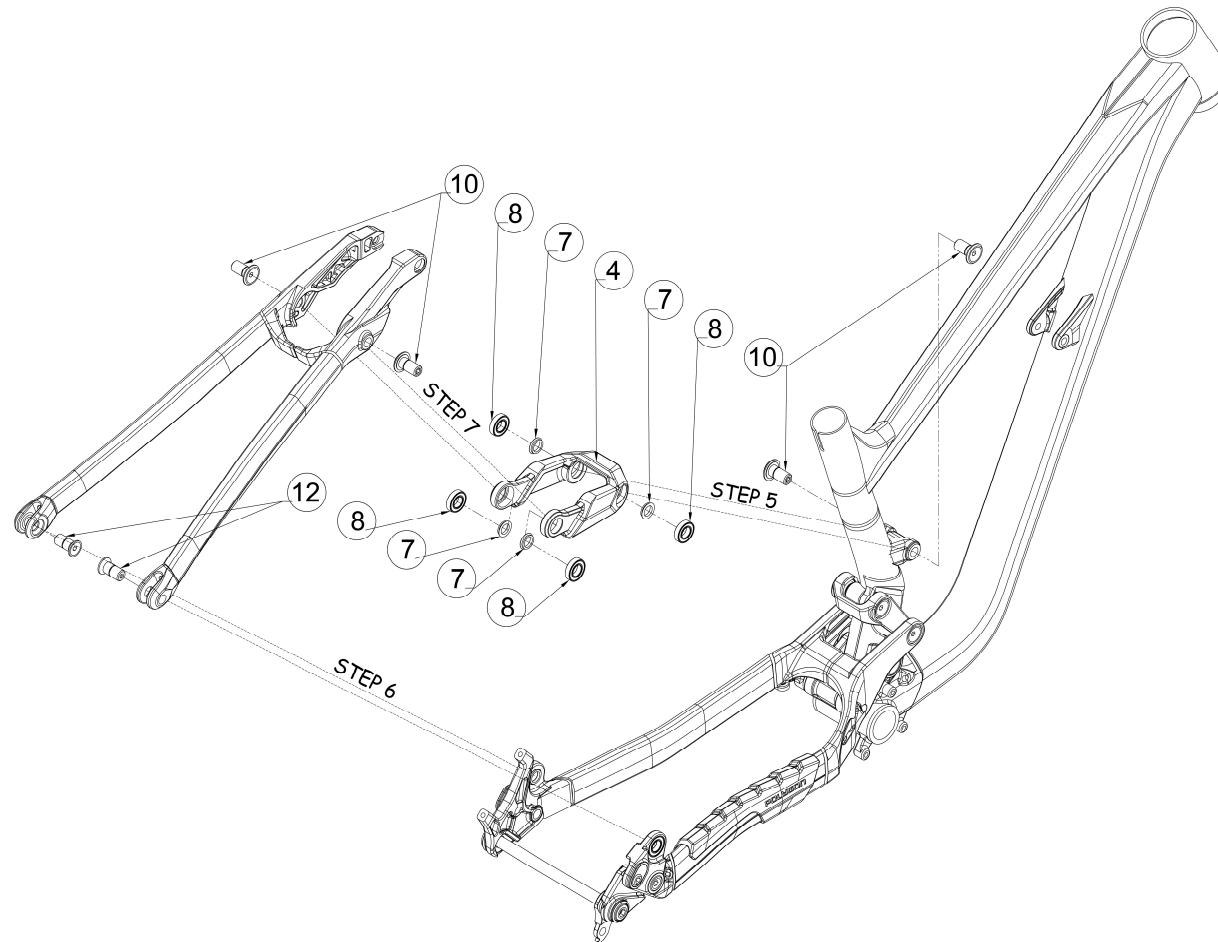
COLLOSUS DH
FRAME KITS

PART	ARTICLE	ITEM	ITEM DETAILS	TORQUE (N.m)	QTY / FRAME	SOLD
28	741378	BOLT UDH STOPPER	BOLT M5X0.8, L14, T6, HEX4	-	1	PER PIECE
29			EXPANDANDABLE FLOATING SPACER	-	1	
30	741381	FIRST LINK EXPANDER SET	PIVOT SHAFT M12X1.25, L90, T15.5, HEX6	20	1	AS A SET
31			PIVOT SPACER ID12, OD14.5, L37	-	1	
32	741382	ENDURO BEARING	3901 LLU MAX ENDURO BEARING	-	4	PER 2 PIECES
33	741383	SHOCK MOUNT BOLT	PIVOT SHAFT M8X1.25, L76.5, T9, HEX5	12	1	PER PIECE
34	741384	SHOCK MOUNT FLIP CHIP	SHOCK MOUNT FLIP CHIP ADAPTER	-	1	AS A SET
35			SHOCK MOUNT FLIP CHIP NUT ADAPTER	-	1	
36	741364	REAR THRU AXLE	M12X1.0, L182, T16, HEX5	11	1	PER PIECE

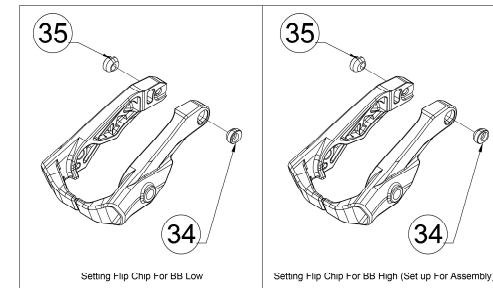
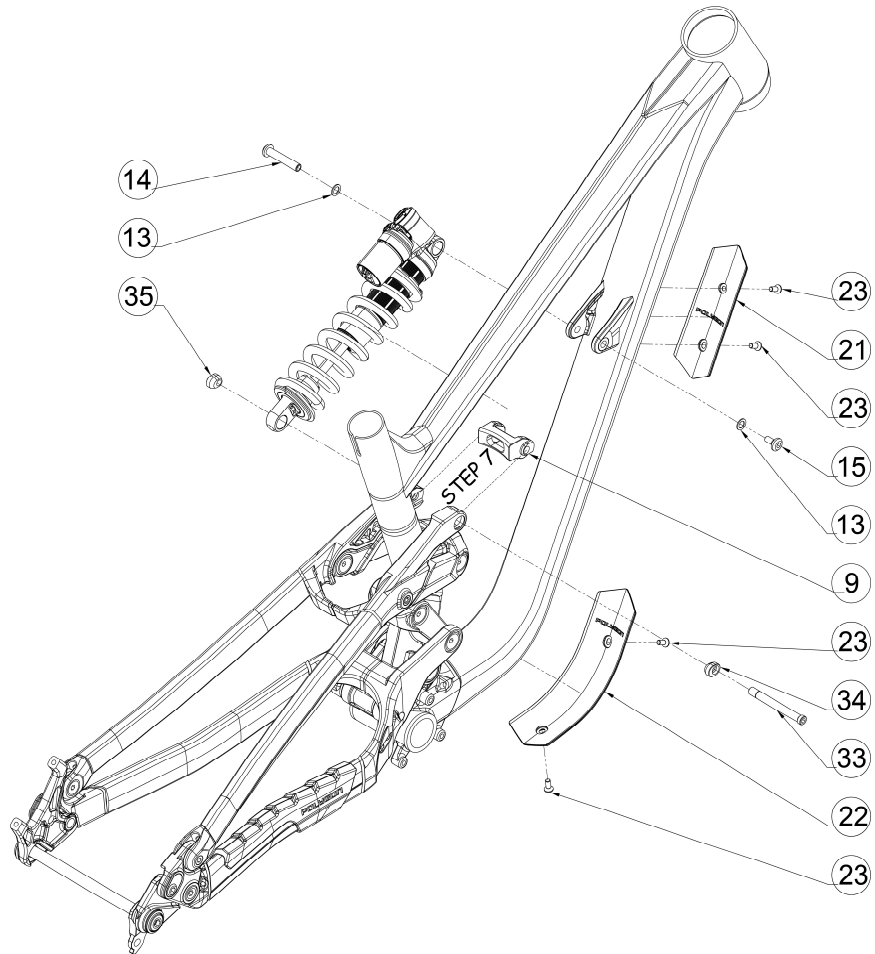
COLLOSUS DH
CHAIN STAY ASSEMBLY



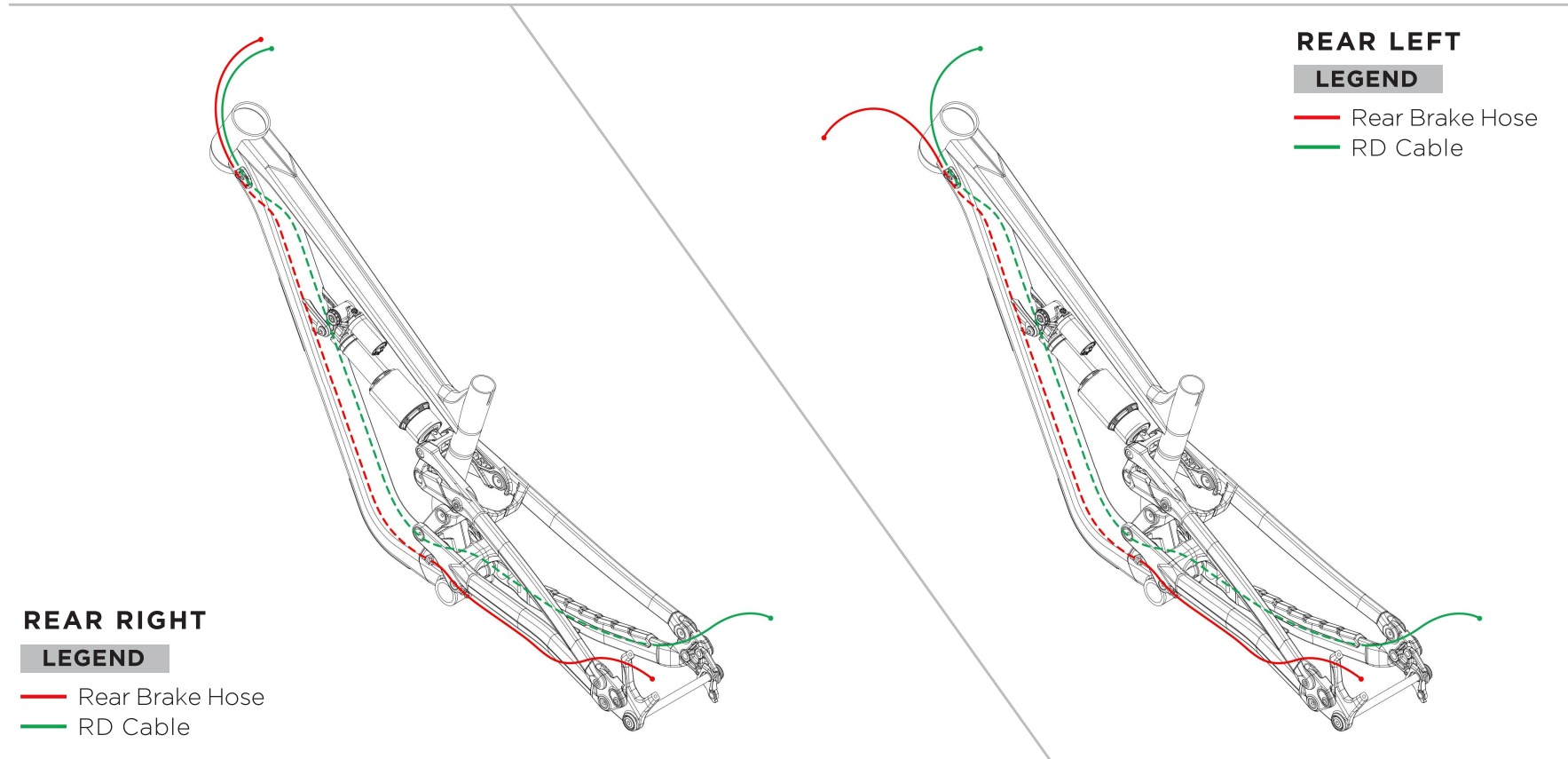
COLLOSUS DH
SEAT STAY ASSEMBLY



COLLOSUS DH
REAR SHOCK AND ACCESSORIES
ASSEMBLY



COLLOSUS DH
CABLE ROUTING



COLLOSUS DH
SHOCK PRESSURE RECOMMENDATION

SHOCK PRESSURE RECOMMENDATION							
COLLOSUS DH9 - FOX FLOAT X2				COLLOSUS DH7 - ROCKSHOCK VIVID			
RIDER WEIGHT (KG)	SHOCK PRESSURE (PSI)	RIDER WEIGHT (KG)	SHOCK PRESSURE (PSI)	RIDER WEIGHT (KG)	SHOCK PRESSURE (PSI)	RIDER WEIGHT (KG)	SHOCK PRESSURE (PSI)
40	102	85	195	40	105	85	216
45	112	90	205	45	117	90	228
50	123	95	215	50	130	95	240
55	133	100	226	55	142	100	252
60	143	105	236	60	154	105	265
65	154	110	246	65	167	110	277
70	164	115	257	70	179	115	289
75	174	120	267	75	191	120	302
80	184			80	203		
RECOMMENDED SAG 30%							

COLLOSUS DH
REGULAR INSPECTION**REGULAR INSPECTIONS BEFORE RIDING THE BICYCLE**

Before riding the bicycle, check the following items. If any problems are found, consult your place of purchase or a distributor.

Does the drive train perform gear shifting smoothly?

Are the components securely installed to the frame/ handlebar/ stem, etc.?

Is there sufficient charge remaining in the battery?

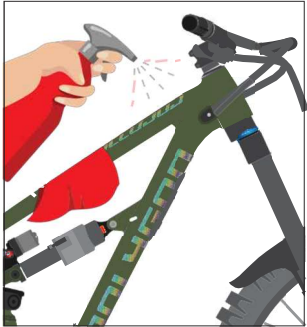
Is there any looseness or damage in the component parts?

Do any abnormal noises occur while riding?

AVOID

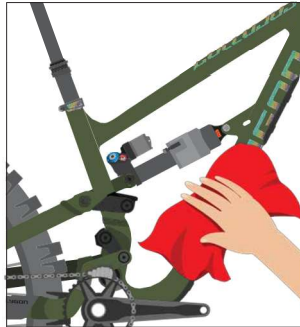
Avoid wearing clothing that may get caught in a chain or wheel, as this may cause an accident.

COLLOSUS DH
HOW TO CLEAN THE BIKE



1

Use a bike wash or wet cloth to clean up every part of your bike. Preferably using a specific cleaner for the bike



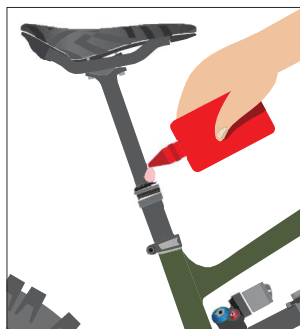
2

Wipe the bike immediately until it's dry. Do not leave it in wet conditions for a long time.



3

Clean up the drivetrain with a clean and dry cloth.



4

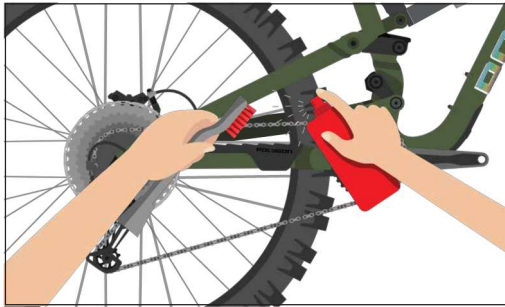
Check and lubricate every component if needed, especially 2 or more components that rub against each other, such as the seat post, bottom bracket, hub, pivot frame suspension, ect

NOTE

- Use the right bike wash to make sure your every bike component and frame is safe.
- Avoid washing the bike using high - pressure water
- It is highly recommended to use specific lubricants for bicycle parts, not with engine vehicles or other oil since it might lead to component performance reduction
- It is recommended to use a bike cleaner rather than detergent, solvent like acetone, and thinner to clean the bike parts.

COLLOSUS DH

HOW TO CLEAN THE BIKE'S CHAIN



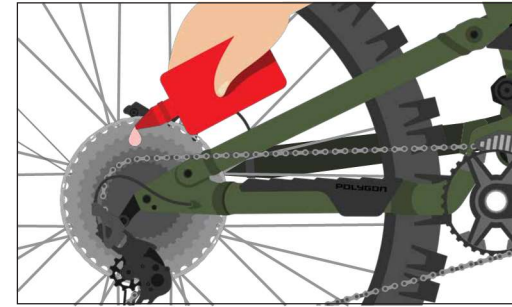
1

Use a bike chain cleaner and gently brush it.



2

Wipe with a clean and dry cloth, and let it dry for minutes.



3

Lube the chain regularly

POLYGON

OWNER MANUAL